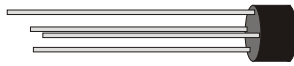
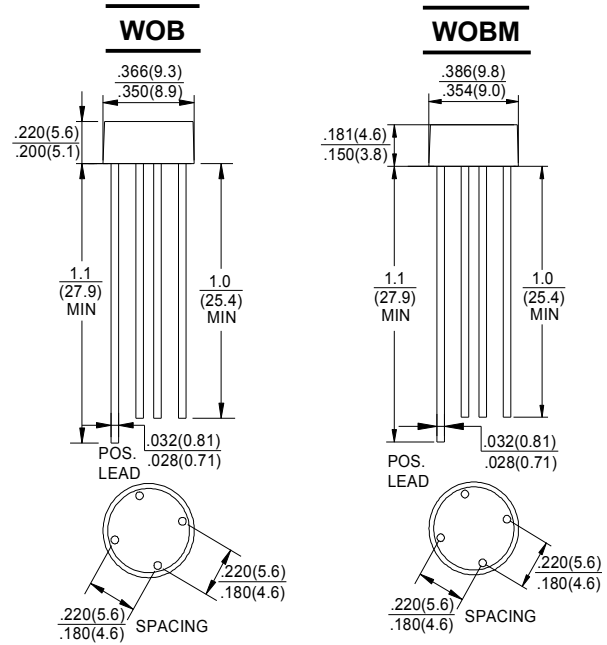


A suffix of "-C" specifies halogen & lead-free



FEATURES

- * Surge overload rating -50 amperes peak
- * Ideal for printed circuit board
- * Reliable low cost construction utilizing molded plastic technique results in expensive product
- * Mounting Position :Any
- * RoHS Compliant Product



Dimensions in inches and (millimeters)

MAXIMUM RATINGS AND ELECTRICAL CHARACTERISTICS

Rating 25 C ambient temperature unless otherwise specified.
Single phase half wave, 60Hz, resistive or inductive load.
For capacitive load, derate current by 20%.

CHARACTERISTICS	SYMBOL	W005G	W01G	W02G	W04G	W06G	W08G	W10G	UNIT
		W005MG	W01MG	W02MG	W04MG	W06MG	W08MG	W10MG	
Maximum Recurrent Peak Reverse Voltage	V _{RRM}	50	100	200	400	600	800	1000	V
Maximum RMS Voltage	V _{RMS}	35	70	140	280	420	560	700	V
Maximum DC Blocking Voltage	V _{DC}	50	100	200	400	600	800	1000	V
Maximum Average Forward Rectified Current @T _A =25°C	I _(AV)	1.5							A
Peak Forward Surge Current ,8.3ms Single 8.3ms Single Half Sine-Wave Super Imposed on Rated Load	I _{FSM}	50							A
I ² t Rating for Fusing (t<8.3ms)	I ² t	5.0							A ² t
Maximum Forward Voltage Drop Per Element at 1.5A Peak	V _F	1.1							V
Maximum Reverse Current at Rated DC Blocking Voltage Per Element	I _R	10.0							uA
		1.0							mA
Operating Temperature Range T _J	T _J	-55 to +150							°C
Storage Temperature Range T _A	T _{STG}	-55 to +150							°C

FIG. 1 -MAXIMUM FORWARD SURGE CURRENT

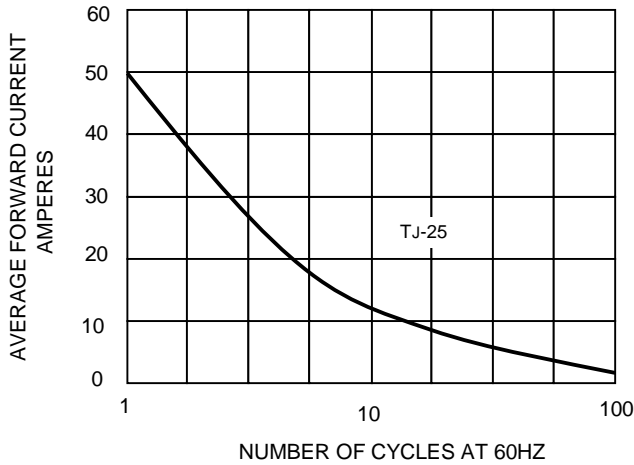


FIG.1-DERATING CURVE
OUTPUT RECTIFIED CURRENT

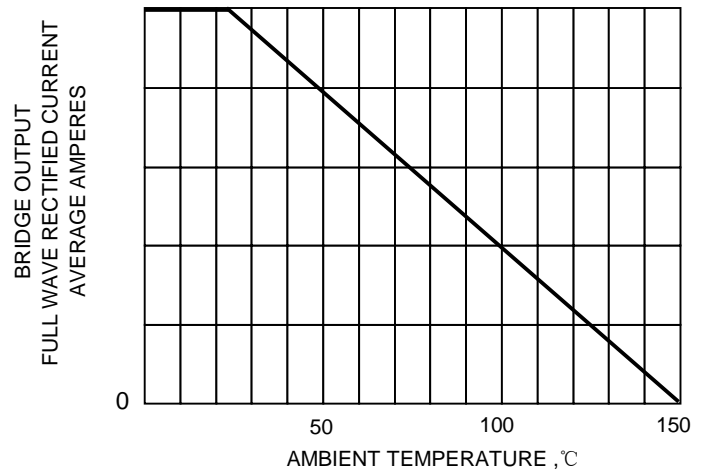


FIG.3-TYPICAL FORWARD
CHARACTERISTICS

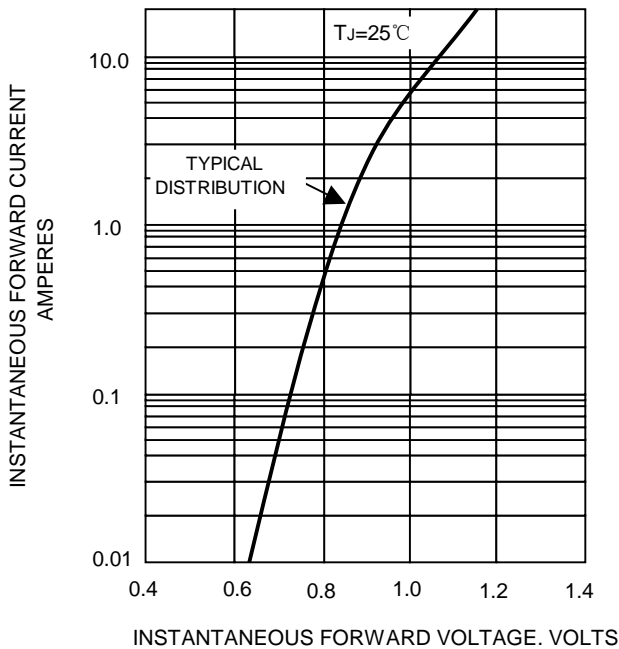


FIG.4-TYPIACL REVERSE
CHARACTERISTICS

